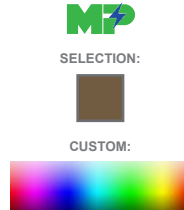


LFX-XL SERIES

Outdoor Lighting

WESTGATE
THE FUTURE IS HERE...AND IT'S QUITE BRIGHT!

LFX-XL-150-300W-50K-480V

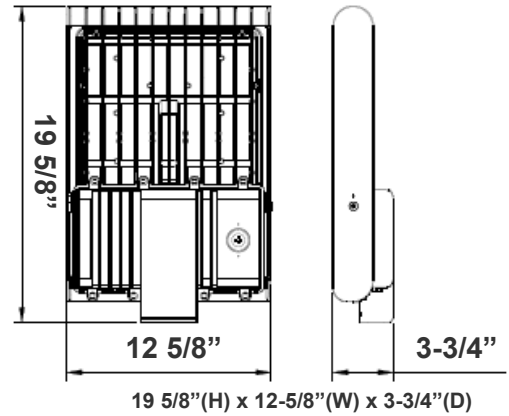


Customer Name: _____

Project Name: _____

Note: _____

Type: _____



Ideal for general site lighting, alleys, loading docks, doorway, pathway, and parking areas.

Features

- DLC Premium & LED High-Lumen Flood lights
- Solid State Lighting Technology for Long Life
- No Maintenance Needed and High-Efficiency
- 70,000 Hours Rated Life
- 7-Year Warranty
- Optic Lens Type: III
- Multi-Power - The Switch is on the bottom of the Fixture

Technical Specifications

Electrical:

- Voltage: 480V AC/50~60 Hz
- Wattage: 150/ 200/ 240/ 300W
- Power Factor: >0.9
- Efficacy: 135 LPW

Mechanical:

- With Snap-on & Bolt Mounting Options for One- Person Installations. Select a Mounting Option (Sold Separately)
- NEMA Twist-Lock Shorting Cap Included. Photocell Sold Separately
- Die-cast Aluminum Housing with Powder Coat Finish (Dark Bronze)
- IP Rating: IP65
- 10KV Lightning Surge Protection
- Effective Projected Areas (EPA's) are: Front = 0.38 ft², Side = 0.30 ft², Face = 1.05 ft²
- Operating Temperature: -40°F to 104°F
- Suitable for Wet Locations

Lighting:

- Dimming: 0~10V dimmable
- Optic Lens Type: III
- Cord Type: 6' SJTW 18/3 AWG cable
- Total Lumens: 44000LM Max.
- Color Temperature: 3000K/ 4000K/ 5000K
- Color Rendering Index: ≥ 82
- Beam Angle: 90° X 120°

Applications:

- Ideal for general site lighting, alleys, loading docks, doorway, pathway and parking areas.
- Replace existing HID flood lights/ wall packs

Other Models:

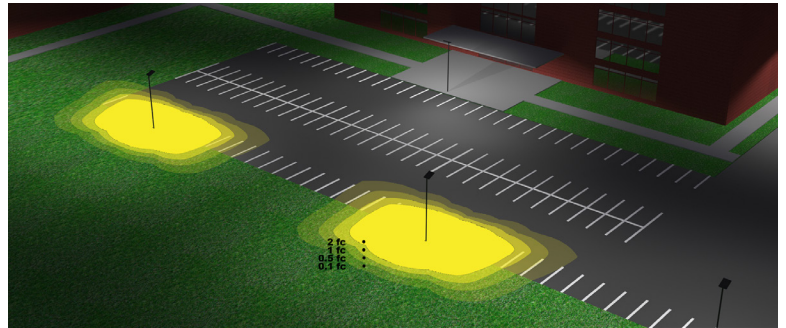
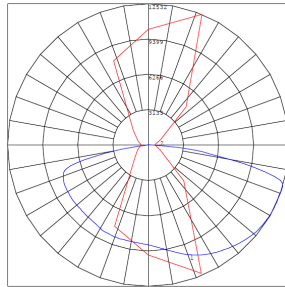
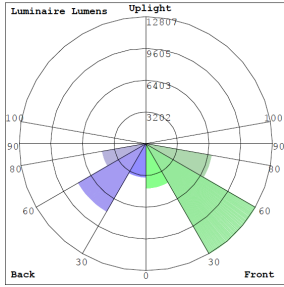
- 150W | 21400LM | LFX-LG-50-150W-50K-480V



Phone: (877) 805-2252 | Fax: (877) 805-2252
www.westgatemfg.com



Photometrics: LFX-XL-150-300W-50K-480V



BUG Rating: B4-U0-G4

Area 60'x 115' Mounting Height: 20'

Other Views:



Side View



Front View



Back View

Performance Table: LFX-XL-150-300W-50K-480V

MODEL NO.	Wattage	Voltage	Lumens	Color Temp.	BUG Rating	LPW
LFX-XL-150-300W-30K-480V	150W	480V	20250LM	3000K	B4-U0-G4	135
LFX-XL-150-300W-40K-480V	200W		27000LM	4000K		
LFX-XL-150-300W-50K-480V	240W		32400LM	5000K		
	300W		40500LM			

EPA Rating:

Model	0.8	1.25	1.44	1.89	1.7	2.34
LFX-XL						



Sample Ordering

Model Size Min.Wattage Max.Wattage Color Temp. Volt

LFX - **XL** - **150** - **300W** - - **480V**

Accessories Options

Blank = No Option for Accessories
 WEC-8RC = Remote Control for OPT-SEN-3MR-4
 *REFER TO PAGE 3 FOR MOUNTING OPTIONS

30K = 3000K
 40K = 4000K
 50K = 5000K

Factory Installed Options

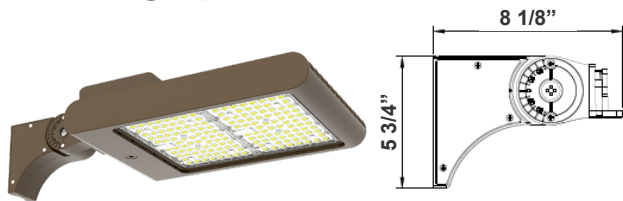
Blank = No Factory Installed Options
 OPT-EM-LFX-XL = External Backup Battery Box
 OPT-LFX-XL-TYPEIV = TYPE IV
 OPT-LFX-XL-TYPEV = TYPE V
 OPT_010W/PO = 0-10V Dim. Wires Pulled Out
 OPT-CLR-95 = Color Paint
 OPT_CIR_MC = 260 Set up fee per project
 OPT-LF3-PCK = Twist Lock Photocell
 OPT-3MPC = Microwave Photocell with a 1/2" threaded

SENSOR AND REMOTE CONTROL OPTIONS



WEC-8RC
Remote control

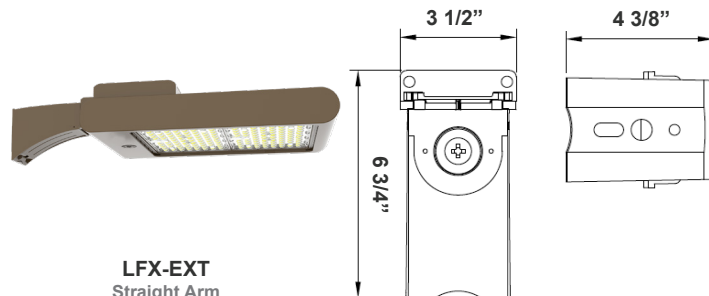
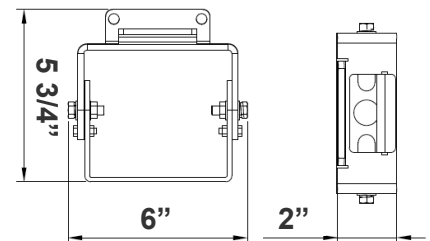
Mounting Options:



LFX-ASA
Adjustable Straight Arm
3 1/3" x 7 7/8"



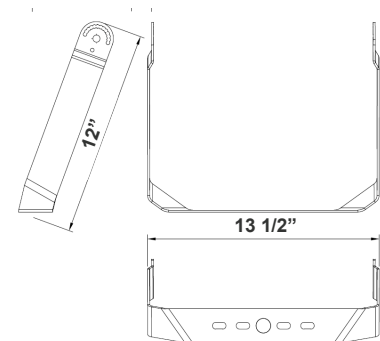
LFX-YK
Yoke
5 3/4" x 6" x 2"



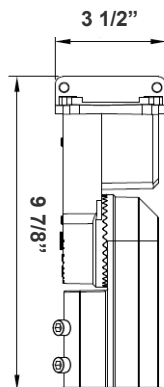
LFX-EXT
Straight Arm
3 1/3" x 6 3/4" x 4 3/8"



LFX-TR-B
U Bracket
13 1/2" x 12"



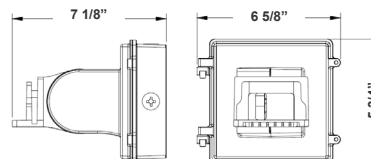
LFX-SF
Slip Fitter
3 1/3" x 7 7/8"
For 2-3/8" OD Pole/Pipe



LFX-AWB
Adjustable Wall Junction Box
7 1/8" x 6 5/8" x 5 3/4"



LFX-SF + LFX-PASF
Pole Adapter for Slip Fitter
6 1/8" x 3 1/4" x 3"



Color Options: LFX-XL-150-300W-50K-480V
 Custom Color Available

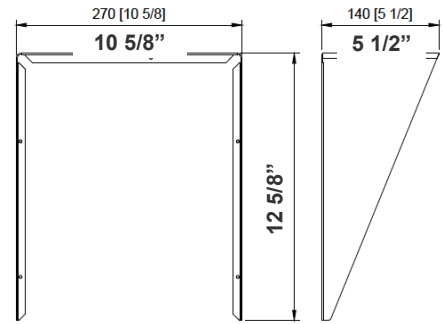
Black Silver White **Dark Bronze** Green Red Yellow
Default color



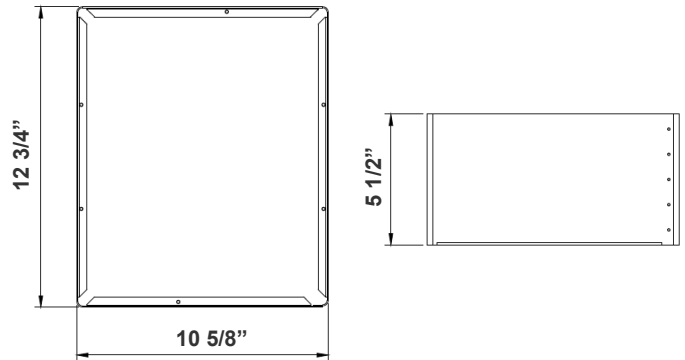
Shroud & Wire Guard: LFX-XL-150-300W-50K-480V



LF-SHROUD-B
 Shroud
 12 5/8" x 10 5/8" x 5 1/2"



LF-SHROUD-E
 Full-Glare Shroud
 12 3/4" x 10 5/8" x 5 1/2"



LFX-WG-B
 Wire Guard

